

FIRING HEADS

Go Style (DB-10 & DB20) & Baker Style (BP-3 & BP-4)

✂ Applications

- All operations that require ignition of the igniter

★ Features

- Compatible with most setting tools
- Suitable for extreme working pressure and temperature

📈 Benefits

- Worry-free assembly
- Reduced redress time due to unique Zinc Phosphate coating



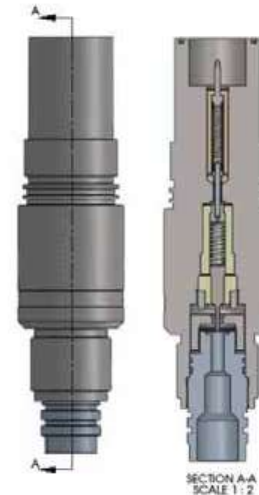
#10 Setting Tool

Description:
#10 Go Style Firing Head
Part No. AS-100002



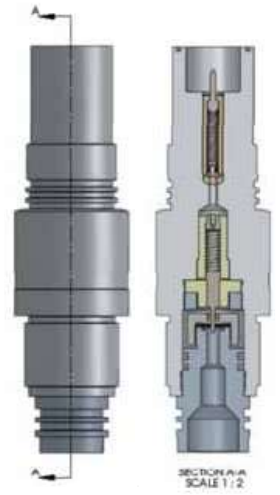
#20 Setting Tool

Description:
#20 Go Style Firing Head
Part No. AS-100003



#10 Setting Tool

Description:
#10 BP-3/BP-4 Style Firing Head
Part No. AS-100005
Redress Kit: DBK Style 10 Contact Kit
Part No. DBK-2010-022



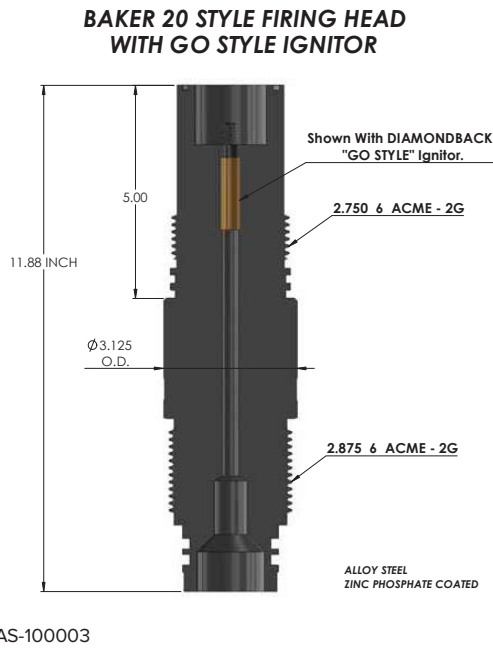
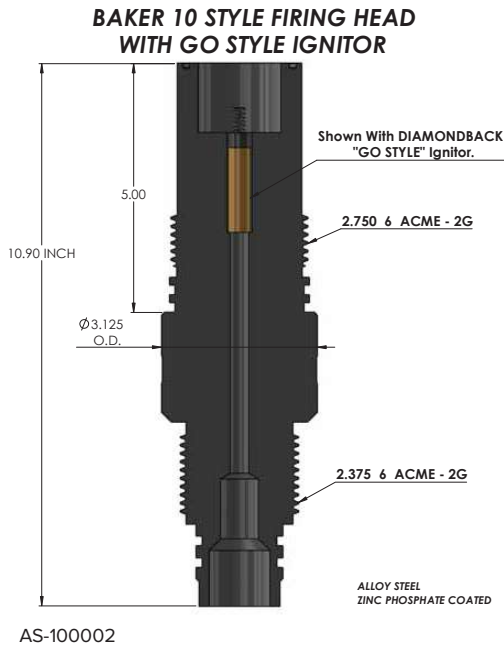
#20 Setting Tool

Description: #20 BP-3/BP-4 Style Firing Head
Part No. AS-100004
Redress Kit: DBK Style 20 Contact Kit
Part No. DBK-2020-022

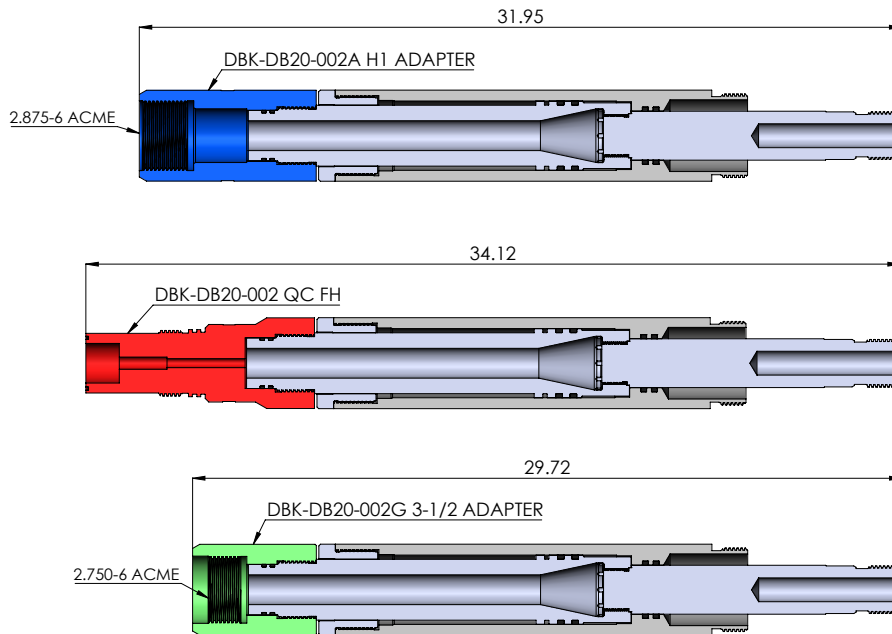


diamondbackindustries.com

- 3824 Williamson Road Crowley, TX 76036
- 817-297-1059
- info@diamondbackindustries.com



DB-20 Firing Head Connection Options



Rev.1 2/22/2021

diamondbackindustries.com

- 3824 Williamson Road Crowley, TX 76036
- 817-297-1059
- info@diamondbackindustries.com

